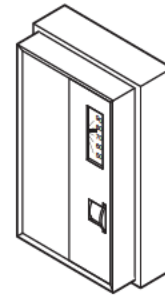


## Two-Position Electric Room Thermostat, Heating

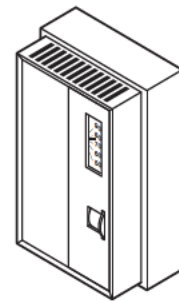
For on-off control of electric heaters, actuators, relays, unit heater motors, high input motor starter coils, and motor pull-up coils.

**Features:**

- Separate units for °C and °F.
- 2F degrees differential.
- Dial stop pins to limit dial range.
- Lock cover screw kits available.
- Agency approval.
- Switch bases AT-602 and AT-603 available for custom applications.



TA-1101  
TA-1102



TA-1501



Model Chart								
Model No.	Application	Setpoint Dial Range	Differential F° (C°)	Night Depression (24V) 10 F°	Electrical Switch Refer to Maximum Electrical Ratings Table	Connections in. (mm)	Cover	Dimensions H x W x D in. (mm)
TA-1101	Unit heater motors, electrical heater, high input motor starter coils	55 to 85°F <sup>a</sup>	2 (1)	No	Snap action SPST with heavy duty contacts	Coded screw terminals	Beige plastic with two inserts standard	4-3/8 x 2-3/4 x 1-5/8 (111 x 70 x 43)
TA-1101-116		13 to 19°C <sup>a</sup>		Yes				
TA-1101-602		55 to 85°F		No				
TA-1101-770 <sup>b</sup>		45 to 75°F <sup>a</sup>	2 (1)	Yes	Snap action SPST with heavy duty contacts	Coded screw terminals	Beige plastic with two inserts standard	
TA-1102		7 to 23°C <sup>a</sup>						
TA-1102-116		45 to 75°F						
TA-1102-602		On-off control with heat anticipation for low current devices such as actuators, relays, and motor pull-up coils	55 to 85°F <sup>a</sup>	2 (1) maximum	No	Snap action SPST	Color coded 6 (152) leads	
TA-1501	13 to 29°C <sup>a</sup>							
TA-1501-116	55 to 85°F <sup>a</sup>							
TA-1501-770 <sup>b</sup>								

<sup>a</sup> Two dial stop pins included to limit setpoint range.

<sup>b</sup> Covers, RobertShaw named.

# TA-110X Series, TA-1501 Series

## Maximum Electrical Ratings.

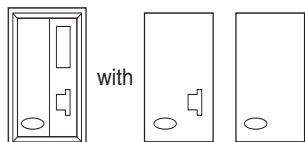
Model No.	Full Load Amps		Locked Rotor Amps		Non-Inductive Amps			Pilot Duty VA	
	24/120 Vac	240 Vac	24/120 Vac	240 Vac	120 Vac	240 Vac	277 Vac	24 Vac	120/240 Vac
TA-1101 Series	7.2	3.6	44	22	7.5	7.5	7	68	340
TA-1102 Series									
TA-1501 Series	1	1	6	6	—	—	—	—	—
TA-1501-116									
TA-1501-770									

### STANDARD

TA-1x0x<sup>a</sup>

TA-1x0x-116<sup>a</sup>

TA-1x01-602 10 F degree night depression, 24V



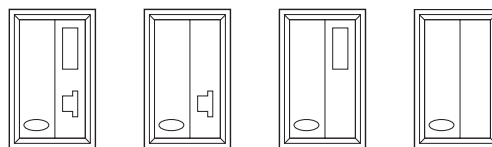
Standard

Insert

Insert

<sup>a</sup>5/64" Allen screw used to secure cover.

**Figure 1 Standard Covers.**



F TA-1x0x-399 -400 -403<sup>a</sup> -404<sup>a</sup>  
C TA-1x0x-398 -410 -413<sup>a</sup> -414<sup>a</sup>

<sup>a</sup>5/64" Allen screw used to secure cover.

**Figure 2 Options, covers for quantities of 24 or more each part number. Add dash-number (-xxx) suffix to base part number for desired option. For metal covers, specify TA2-1x0x-xxx.**

## Specifications

<b>Sensing Element</b>	Bimetal.
<b>Mounting</b>	Flush or 2 x 4 wall box, or directly on wall (24V only).
<b>Locations</b>	NEMA Type 1.
<b>Agency Listing</b>	UL. TA-110x-602: UL, CUL.

## Accessories

Model No.	Description
AT-101	Lock cover kit.
AT-104	Dial stop pins (NOTE: Pins included with each unit.)
AT-504	Mounting base.
AT-505	Surface mounting base.
AT-546	Auxiliary mounting plate.
AT-602	Selector switch sub-base DP4T.
AT-603	Selector switch sub-base one DP4T, one DPDT.
AT-1103	Wire guard.
AT-1104	Cast aluminum guard.
AT-1155	Plastic guard.
AT-1165	Plastic guard with base.
TOOL-11	Calibration wrench.
TOOL-13	Contact burnishing tool.

Typical Applications

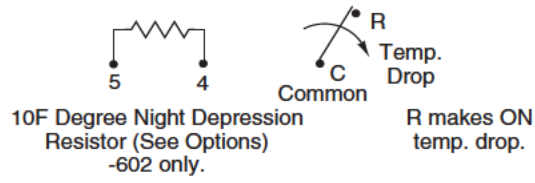


Figure 3 TA-110x Switch Action and Terminal Identification.

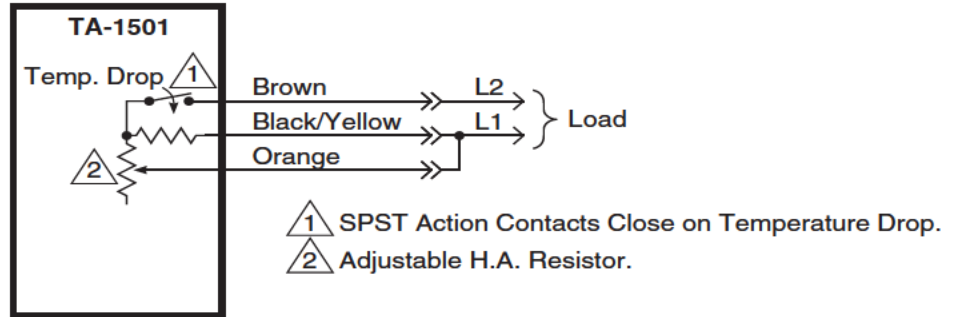


Figure 4 TA-1501 Switch Action and Lead Identification.